

Specialists in design and construction of handling systems since 1981



Three-axis welding and handling positioner ROTOLIFT

ELEVATION - TILTING - ROTATION - ERGONOMIC - SAFE - FAST

ROTOLIFT is an hydraulic welding and handling positioner specially designed to ease welding and assembling operations: the machine, due to its working features, greatly reduces the handling of the part being worked resulting in a minor use of other lifting equipment. The most important characteristic is the possibility to perform tilting and rotation as well as lifting and lowering on a single machine. The whole concept has been developed in order to allow the safest and most ergonomic working conditions for the operator.

MODEL	CAPACITY (Kg)
RL 1250	1250
RL 2000	2000
RL 3000	3000
RL 4500	4500
RL 6500	6500
RL 8500	8500
RL 11000	11000
RL 13000	13000

HYDRAULIC MODEL:

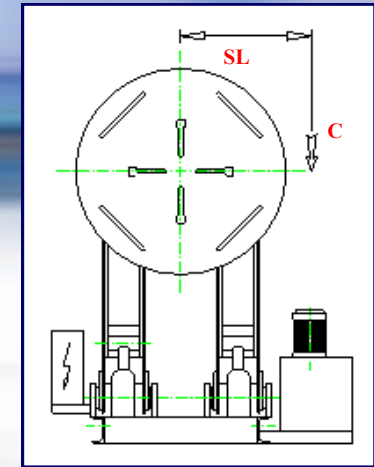
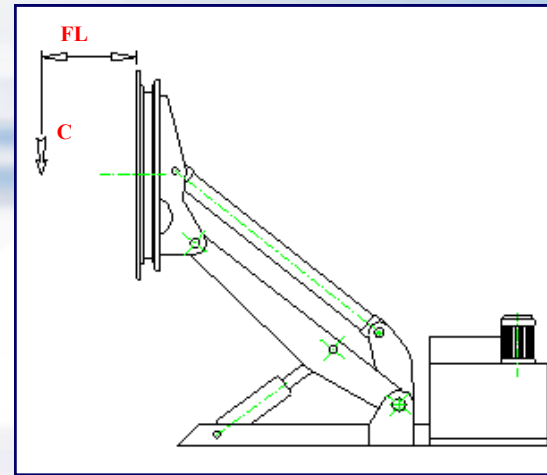
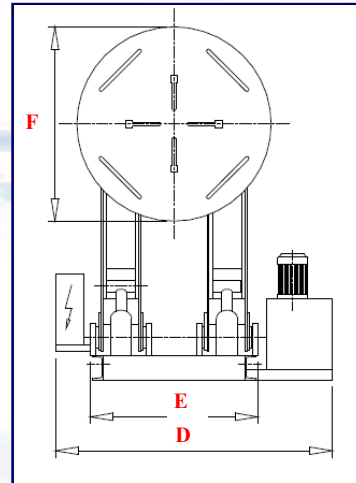
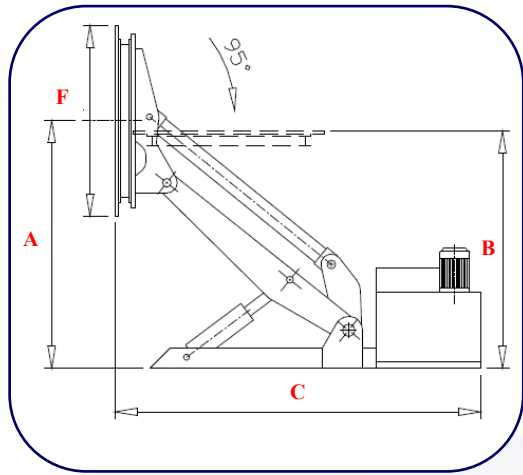
Hydraulic lifting, tilting and rotation.

ELECTRIC MODEL:

Hydraulic lifting and tilting, electromechanical rotation (inverter driven)

The ELECTRICAL versions are available also with increased tilting up to 140°.





Technical Data

	RL 1250	RL 2000	RL 3000	RL 4500	RL 6500	RL 8500	RL 11000
Capacity (kg)	1250	2000	3000	4500	6500	8500	11000
Machine weight (kg)	727	1114	1477	2627	3434	4590	5100
Max table tilting	95°	95° 140°	95° 140°	95° 140°	95° 140°	95° 140°	95° 140°
Table tilting time (sec)	15	25 (95°) 14 (140°)	25	32	32	42	55
Table elevation time (sec)	10	15	20	27	44	63	68
Table rotation time (sec/round)	27	30	35	45	48	59	70
A Max height vert. table (mm)	1120	1300	1620	2085	2400	2780	2900
B Min. height horizontal table (mm)	700	700	720	900	960	1230	1300
B Max. height horizontal table (mm)	1300	1500	1570	2160	2470	3000	3150
C Length (mm)	1900	2000	2400	3000	3600	3900	4900
D Max width (mm)	1700	1950	2050	2160	2300	2400	2400
F Structure width (mm)	760	760	940	1250	1400	1490	1490
Table dimension (mm)	Ø800	Ø800	1100x1100	1500x1500	1500x1500	Ø1710	Ø1710

Loading Capacities

RL 1250	C - kg	1250	1000	800	600	400							
	FL-mm	400	490	600	790	1160							
	SL-mm	40	50	60	80	120							
RL 2000	C - kg	2000	1700	1400	1100	800	600	400					
	FL-mm	400	460	550	700	950	1260	1800					
	SL-mm	80	90	100	120	160	210	300					
RL 3000	C - kg	3000	2500	2100	1700	1300	900	500	300				
	FL-mm	400	530	640	820	1150	2000	3300	3900				
	SL-mm	80	100	120	160	230	420	670	790				
RL 4500	C - kg	4500	3900	3300	2700	2100	1500	1200	900	600	300		
	FL-mm	480	540	620	740	950	1280	1600	2100	3100	6100		
	SL-mm	120	140	160	190	240	330	410	540	790	1500		
RL 6500	C - kg	6500	5700	4900	4100	3300	2500	2100	1700	1300	900	500	
	FL-mm	500	560	640	750	920	1200	1400	1700	2200	3100	5580	
	SL-mm	120	140	160	180	220	290	340	420	550	630	730	
RL 8500	C - kg	8500	7500	6500	5500	4500	3500	3000	2500	2000	1500	1000	
	FL-mm	500	560	640	750	910	1140	1300	1550	1930	2550	3750	
	SL-mm	95	110	130	150	190	240	280	340	400	550	820	
RL 11000	C - kg	11000	9800	8250	7130	5850	4550	3950	3150	2500	1800	1210	900
	FL-mm	500	550	650	750	900	1150	1300	1550	1950	2600	3700	4900
	SL-mm	90	110	130	150	200	250	290	350	440	590	840	900

RL 8500 and RL 11000 are only available in electric version.
The data are only indications and they can be changed without prior notice.

LEGEND: **C**= Max capacity in kg **FL**= frontal loading center **SL**= side loading center
All data are referred to the max speed of the plate. The chart reports capacities and distances with loading in the center. Loading outside the given limitations is not recommended.